

Scaled data based on original data using  
LM-79-08 Approved Method: Electrical and Photometric Measurements of Solid-State  
Lighting Products

Test Report Prepared for  
Cooper Lighting Solutions  
(formerly Eaton)

Brand: STREETWORKS

Report Number: P571705

Luminaire Tested: **UFLD-S-CA1-30-740-U-66-TS2LW\_NFFLD**

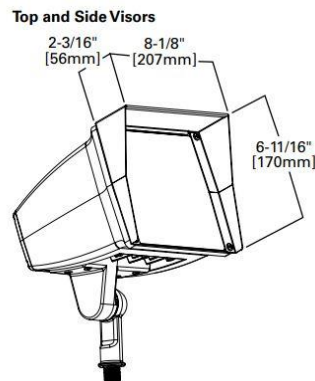
Issue Date: 9/21/2021

**Test Information**

Test Method: LM-79-08  
Report Number: P571705  
TEST IS SCALED FROM IESNA LM-79-08 TEST DATA (G2-2109-378-6)  
Test Lab: COOPER LIGHTING SOLUTIONS  
Issue Date: 9/21/2021  
Manufacturer: COOPER LIGHTING SOLUTIONS (FORMERLY EATON)  
Product Line: STREETWORKS  
Catalog Number: UFLD-S-CA1-30-740-U-66-TS2LW\_NFFLD  
Description: FLOOD LIGHT SMALL, 6x6 OPTIC WITH TOP AND SIDE VISOR  
Light Source: (1) 4000K CCT, 70 CRI LEDS  
Ballast/Driver: -

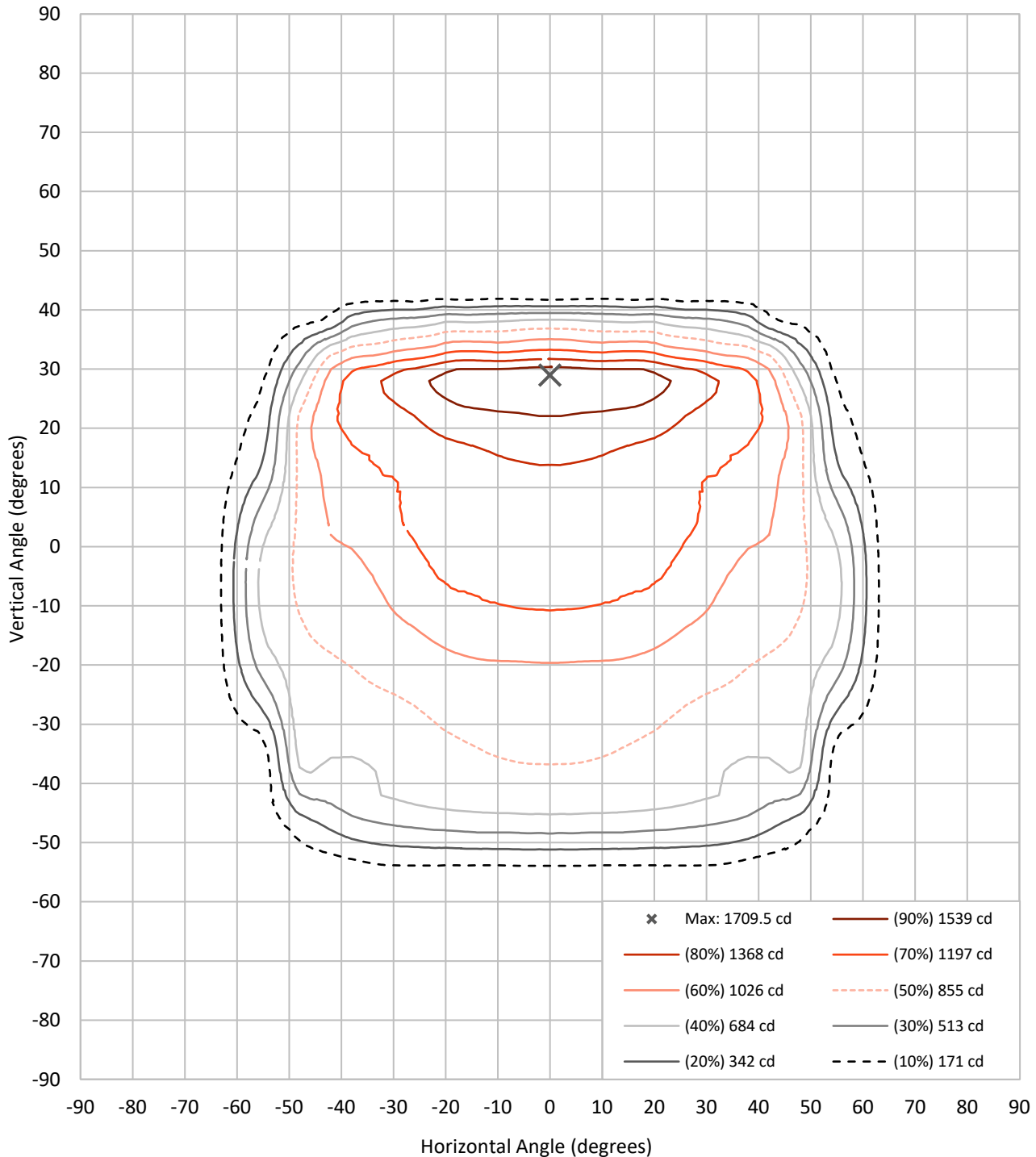
**Summary**

Lumens per Lamp:	N/A	NEMA Type:	6H x 5V
Luminaire Lumens:	2665 lumens	Max Intensity:	1709.5 candela
Efficiency:	N/A	Max Intensity Angle:	0°H x 29°V
Efficacy:	137.4 lumens/watt		
Luminous Opening:	Rectangular (W 0.67' x L: 0.5' x H: 0')		
Beam Angle (50%):	90.2°H x 73.7°V	Field Angle (10%):	108.6°H x 95.6°V
Beam Lumens:	1925.7 lumens	Field Lumens:	2593 lumens
Beam Efficiency:	72.3%	Field Efficiency:	97.3%
Input Watts (W):	19.4		
Input Voltage (V):	120		
Input Current (Ain):	NR		
Voltage Rise (V):	NR		
Power Factor:	NR		
Total Harmonic Distortion (THDi):	NR		
Frequency (hertz):	60		
Stabilization Time:	NR		
Operation Time:	NR		
Ambient Temperature (°C):	NR		
Test Distance:	25 FT		



REPORT NUMBER: P571705  
CATALOG NUMBER: UFLD-S-CA1-30-740-U-66-TS2LW\_NFFLD

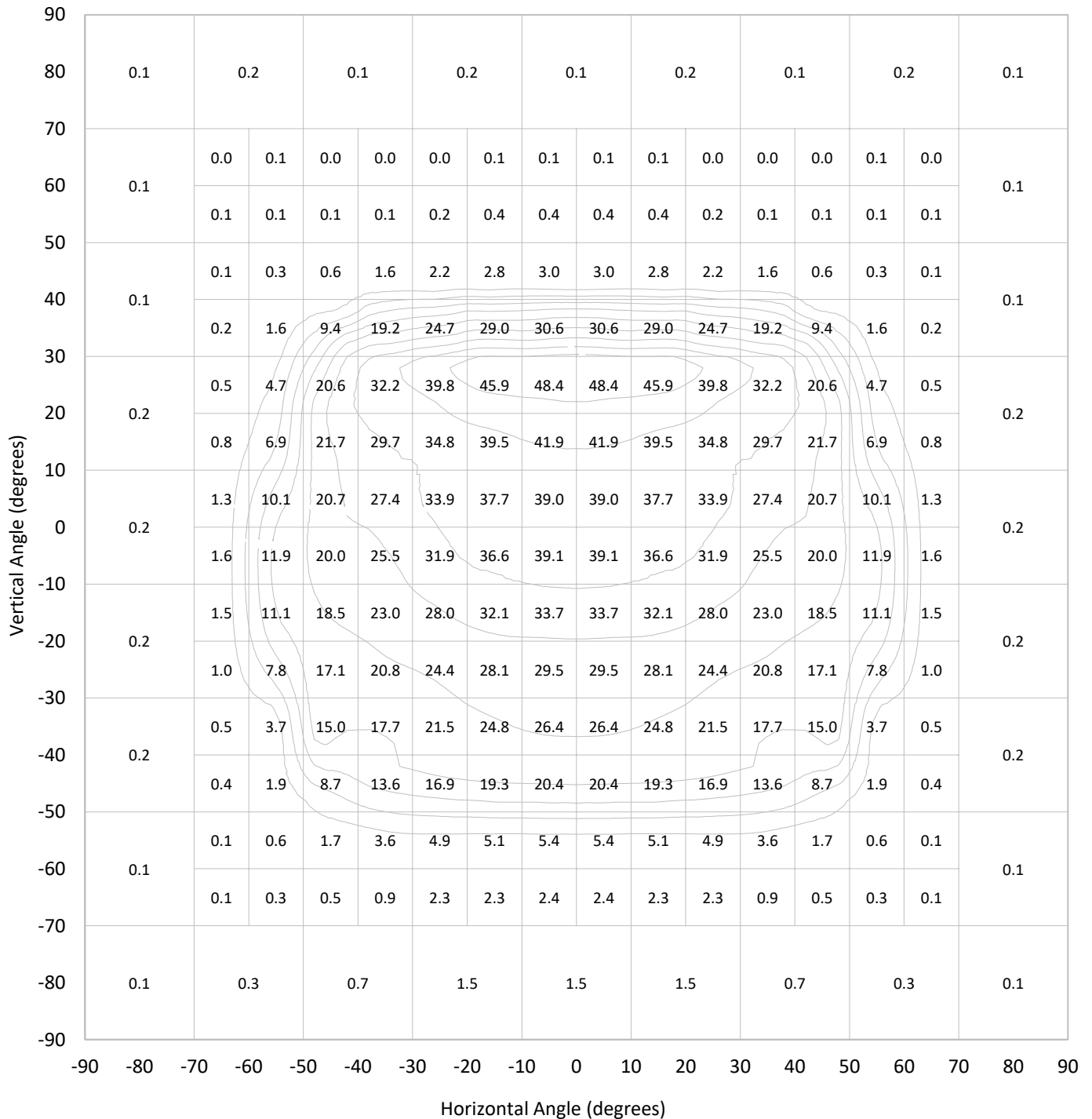
### Iso-Candela Plot





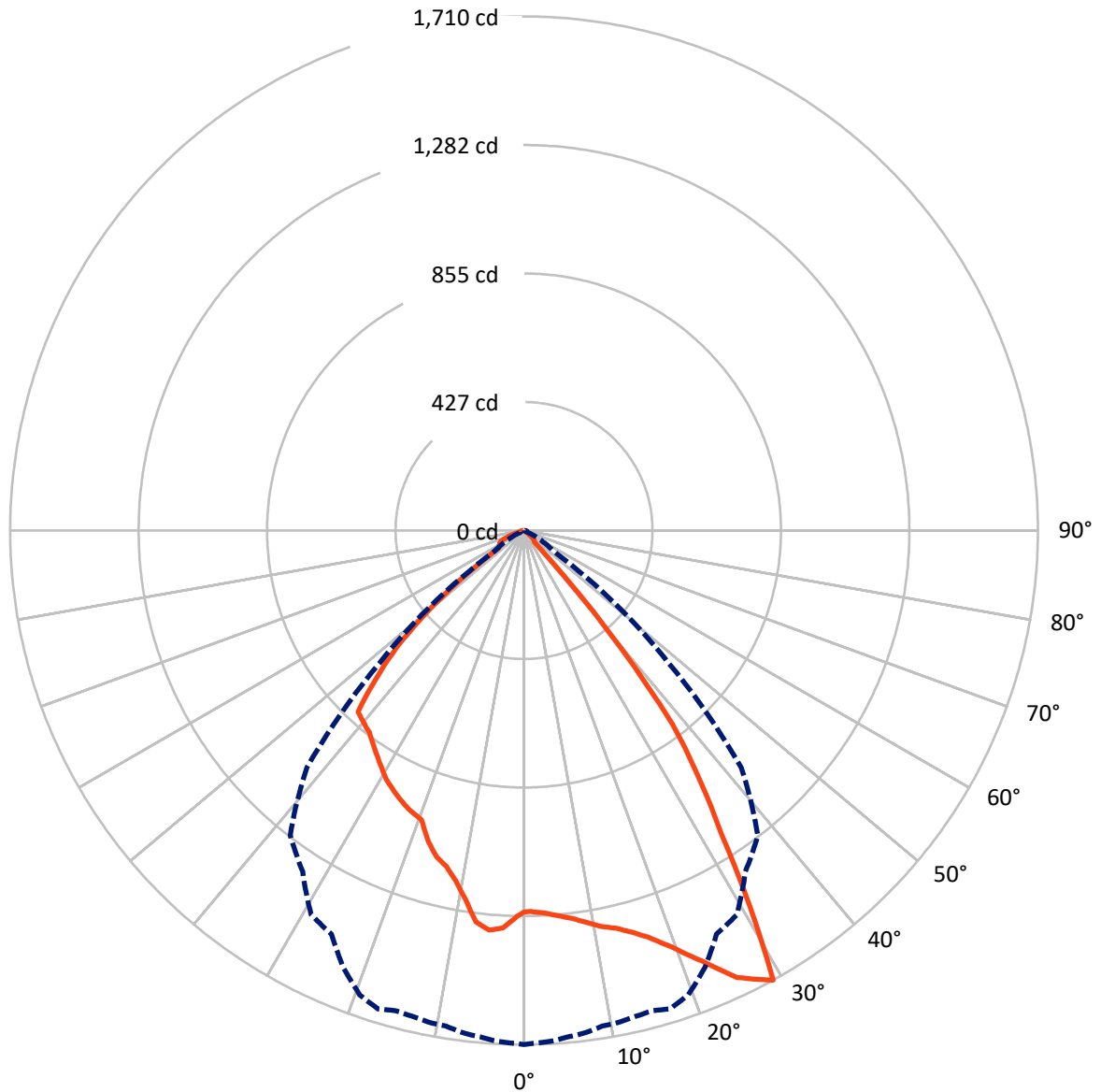
REPORT NUMBER: P571705  
 CATALOG NUMBER: UFLD-S-CA1-30-740-U-66-TS2LW\_NFFLD

### Lumen Table



REPORT NUMBER: P571705  
CATALOG NUMBER: UFLD-S-CA1-30-740-U-66-TS2LW\_NFFLD

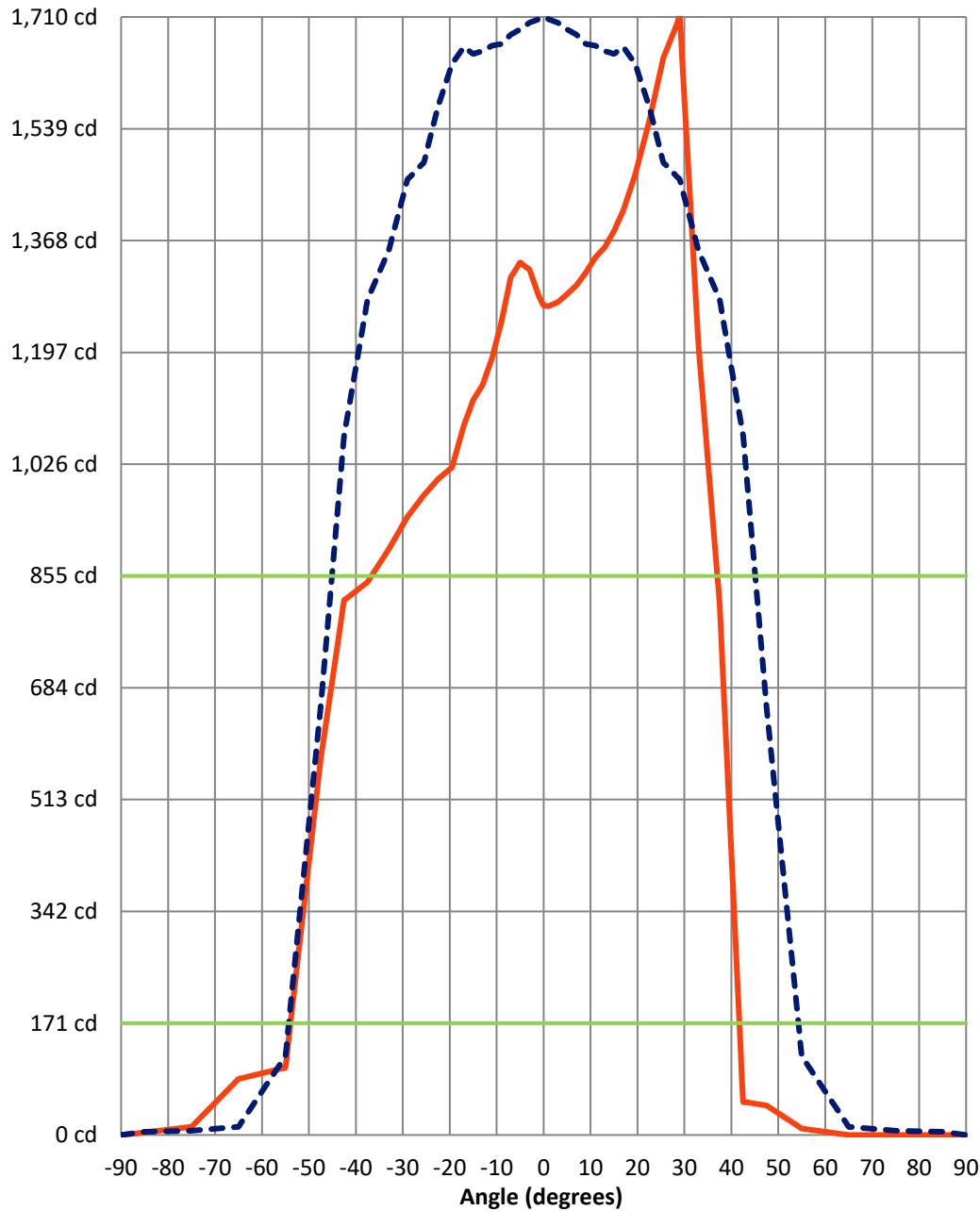
### Luminous Intensity Polar Plot



— Vertical Distribution Through 0-Deg      - - - Horizontal Distribution Through 29-Deg

REPORT NUMBER: P571705  
 CATALOG NUMBER: UFLD-S-CA1-30-740-U-66-TS2LW\_NFFLD

### Luminous Intensity Plot



**Beam:**  
 H Angle: 90.2°  
 V Angle: 73.7°  
 Lumens: 1925.7  
 Efficiency: 72.3%

**Field:**  
 H Angle: 108.6°  
 V Angle: 95.6°  
 Lumens: 2593  
 Efficiency: 97.3%

**Spill:**  
 Lumens: 72  
 Efficiency: 2.7%

- Vertical Distribution through 0-Deg
- - - Horizontal Distribution through 29-Deg



REPORT NUMBER: P571705  
 CATALOG NUMBER: UFLD-S-CA1-30-740-U-66-TS2LW\_NFFLD

FIELD  
 BEAM

**CANDELA DISTRIBUTION:**

	0°	1°	3°	5°	7°	9°	11°	13°	15°	17°	19.5°
90°	0.0	0.0	0.0	0.0	0.0	0.0	0.0	0.0	0.0	0.0	0.0
85°	0.0	0.5	1.6	1.6	1.6	1.6	2.2	2.2	2.2	2.2	2.2
75°	0.0	0.5	0.5	1.1	1.6	1.6	1.6	1.6	1.6	1.6	1.1
65°	0.0	0.0	0.5	0.5	1.1	1.1	1.1	1.1	1.1	1.1	1.1
55°	9.8	9.8	9.8	9.8	9.8	9.8	10.3	9.8	9.2	9.2	9.2
47.5°	45.0	45.0	45.0	42.8	41.2	40.7	39.6	37.4	36.3	37.4	36.3
42.5°	50.9	52.0	59.6	71.0	80.8	88.3	88.3	81.3	64.0	53.1	85.6
37.5°	811.4	804.3	814.6	794.0	780.5	760.4	754.5	746.3	738.7	747.4	758.8
33°	1207.0	1194.0	1207.6	1179.4	1170.2	1151.2	1162.1	1185.4	1190.8	1194.0	1169.1
29°	1709.5	1706.2	1700.8	1690.5	1682.4	1668.3	1665.6	1657.4	1653.1	1663.4	1637.9
25.5°	1646.6	1648.2	1641.2	1634.1	1625.5	1628.2	1621.1	1614.1	1606.5	1590.8	1559.3
22.5°	1550.1	1553.9	1546.9	1536.6	1530.1	1528.4	1521.4	1513.3	1506.2	1500.8	1479.7
19.5°	1468.3	1469.9	1467.2	1461.8	1456.9	1450.9	1440.1	1428.2	1417.3	1414.6	1404.9
17°	1414.1	1415.7	1413.5	1409.2	1404.3	1395.7	1385.4	1371.8	1361.0	1352.3	1337.7
15°	1382.1	1383.2	1381.6	1377.2	1371.3	1364.8	1356.6	1345.8	1333.9	1320.9	1303.0
13°	1357.2	1358.3	1356.6	1351.8	1346.3	1339.8	1332.8	1323.6	1313.3	1301.9	1286.7
11°	1341.5	1342.0	1339.3	1335.5	1329.5	1323.0	1315.4	1305.1	1297.6	1291.0	1282.4
9°	1318.7	1319.2	1318.1	1314.9	1312.2	1305.7	1299.7	1291.6	1285.6	1283.5	1280.8
7°	1299.2	1299.7	1299.7	1295.9	1293.2	1288.9	1284.0	1277.5	1274.2	1275.9	1278.6
5°	1285.6	1286.7	1286.2	1282.9	1280.8	1278.0	1275.3	1271.0	1267.2	1273.2	1280.8
3°	1273.2	1273.2	1274.2	1272.6	1272.1	1272.6	1273.2	1271.5	1270.5	1278.6	1288.9
1°	1267.2	1267.2	1269.4	1269.9	1271.5	1274.8	1281.3	1285.6	1286.7	1284.0	1320.3
0°	1268.3	1268.3	1271.5	1275.9	1280.8	1287.8	1293.2	1295.9	1293.2	1283.5	1387.0
-1°	1282.4	1280.8	1282.9	1290.5	1295.9	1302.4	1304.1	1301.9	1294.3	1280.2	1298.1
-3°	1323.0	1324.1	1323.6	1324.7	1324.7	1323.0	1314.4	1298.6	1281.8	1262.9	1247.7
-5°	1333.9	1337.1	1333.9	1330.1	1326.8	1312.7	1296.5	1273.7	1243.4	1225.5	1210.3
-7°	1311.1	1306.2	1303.5	1295.4	1284.5	1262.9	1242.3	1219.0	1202.2	1197.3	1193.5
-9°	1242.8	1239.0	1237.4	1233.6	1226.6	1211.4	1202.7	1193.5	1187.5	1187.5	1183.2
-11°	1187.5	1185.4	1184.3	1180.5	1179.4	1172.4	1171.3	1168.0	1163.1	1163.1	1155.5
-13°	1146.9	1146.9	1146.9	1145.3	1141.5	1138.7	1138.2	1135.5	1129.5	1127.4	1116.0
-15°	1123.6	1124.1	1121.9	1119.8	1114.9	1111.6	1108.4	1104.1	1096.5	1090.5	1075.9
-17°	1084.5	1081.8	1084.0	1079.7	1079.7	1076.4	1075.3	1073.2	1065.6	1056.9	1039.0
-19.5°	1021.1	1021.7	1020.6	1017.3	1015.7	1015.2	1014.6	1011.4	1003.2	994.0	979.9
-22.5°	1002.7	1002.2	1000.5	998.4	996.7	995.1	995.7	994.0	986.4	977.2	963.1
-25.5°	978.3	977.8	976.1	973.4	970.2	966.9	968.0	965.8	959.9	952.3	940.4
-29°	945.3	943.6	942.0	939.8	934.4	926.3	920.3	915.4	908.9	903.0	889.4
-33°	895.4	894.8	894.8	892.7	887.8	881.3	874.2	867.2	858.0	848.8	833.1
-37.5°	845.5	845.5	845.5	844.4	842.3	839.0	835.2	828.7	819.5	808.7	794.0
-42.5°	817.3	816.8	817.3	814.6	811.4	807.0	803.8	797.8	790.8	785.4	776.7
-47.5°	573.4	564.8	569.6	570.7	560.4	563.1	562.1	562.6	558.8	548.5	539.3
-55°	103.0	103.0	104.1	105.7	104.6	101.9	98.6	98.6	102.4	104.1	101.9
-65°	85.6	85.6	85.6	85.1	85.1	84.6	84.6	84.6	84.6	84.6	87.3
-75°	12.5	11.9	12.5	12.5	11.4	11.9	13.6	13.6	13.6	13.6	13.6
-85°	3.8	3.8	3.8	5.4	6.0	6.5	6.5	7.0	7.0	6.5	6.5
-90°	0.0	0.0	0.0	0.0	0.0	0.0	0.0	0.0	0.0	0.0	0.0



REPORT NUMBER: P571705

CATALOG NUMBER: UFLD-S-CA1-30-740-U-66-TS2LW\_NFFLD

**CANDELA DISTRIBUTION (continued):**

	22.5°	25.5°	29°	33°	37.5°	42.5°	47.5°	55°	65°	75°	85°
90°	0.0	0.0	0.0	0.0	0.0	0.0	0.0	0.0	0.0	0.0	0.0
85°	2.2	2.2	2.2	1.6	1.6	2.2	2.2	2.7	3.8	4.3	4.3
75°	1.1	1.1	1.1	1.1	1.6	2.2	2.2	2.7	3.8	4.3	4.9
65°	1.1	1.1	1.1	1.1	1.1	1.6	2.2	3.3	3.8	4.3	4.9
55°	8.1	6.0	4.3	4.9	6.0	4.3	3.3	3.8	4.3	4.9	4.9
47.5°	29.3	17.9	11.4	10.3	11.4	8.7	7.0	7.0	9.2	4.9	4.9
42.5°	82.9	31.4	57.5	62.9	54.2	17.3	24.4	19.0	10.8	5.4	4.9
37.5°	693.2	659.6	641.7	593.5	508.4	212.5	155.6	26.0	11.4	5.4	4.9
33°	1091.1	1063.4	1028.7	958.8	950.1	807.0	440.1	53.7	11.4	6.0	4.9
29°	1572.3	1487.3	1460.7	1352.3	1277.5	1069.4	653.7	120.3	12.5	6.5	4.9
25.5°	1516.0	1463.9	1406.0	1346.9	1284.5	1129.5	800.5	175.1	14.1	6.5	4.9
22.5°	1434.1	1382.1	1332.8	1289.4	1253.7	1168.0	916.0	217.3	16.3	6.5	4.9
19.5°	1368.6	1323.0	1278.0	1236.3	1219.5	1170.7	954.5	250.9	19.5	6.5	4.9
17°	1304.6	1268.8	1236.3	1207.6	1201.6	1137.7	949.0	280.2	24.9	7.0	4.9
15°	1269.4	1234.7	1211.4	1200.0	1188.1	1096.5	942.0	308.9	28.2	7.0	4.9
13°	1250.9	1215.7	1199.5	1203.2	1165.3	1068.3	932.2	354.5	31.4	7.0	4.9
11°	1248.8	1209.7	1198.9	1187.5	1138.2	1058.5	925.2	409.8	33.1	7.0	4.9
9°	1255.3	1220.6	1197.8	1157.2	1114.9	1055.3	920.3	473.7	33.6	7.6	5.4
7°	1260.7	1227.6	1196.7	1130.1	1091.1	1046.6	912.2	532.8	32.5	7.6	5.4
5°	1268.8	1233.1	1194.0	1108.9	1071.5	1036.8	905.1	592.4	30.9	7.6	5.4
3°	1267.2	1222.2	1183.7	1088.9	1055.3	1029.3	899.7	644.4	30.4	7.6	5.4
1°	1254.7	1203.2	1160.4	1073.7	1038.5	1017.9	897.0	688.3	30.4	8.1	5.4
0°	1247.7	1192.4	1146.3	1066.7	1029.8	1012.5	895.9	707.9	29.8	8.1	5.4
-1°	1235.8	1178.3	1137.7	1060.2	1022.2	1004.9	893.8	722.5	29.8	8.1	5.4
-3°	1206.5	1155.5	1122.5	1046.1	1009.2	992.4	892.1	742.0	30.4	8.1	5.4
-5°	1184.8	1145.8	1110.0	1033.6	999.5	979.4	887.8	751.8	30.9	8.1	5.4
-7°	1175.6	1136.0	1095.9	1017.3	984.3	963.1	882.9	753.4	30.9	8.1	5.4
-9°	1162.1	1119.2	1074.2	996.7	965.3	943.1	878.0	748.5	31.4	8.7	5.4
-11°	1130.6	1085.1	1040.6	975.1	944.2	918.2	866.1	739.8	31.4	8.7	5.4
-13°	1088.9	1045.0	1004.3	950.7	923.0	897.0	854.7	722.5	31.4	8.7	5.4
-15°	1046.1	1004.3	970.2	929.5	905.1	878.6	844.4	695.9	31.4	8.7	5.4
-17°	1005.4	964.2	936.0	907.9	886.7	860.7	832.5	661.2	32.0	8.7	5.4
-19.5°	951.2	918.7	898.6	881.8	862.9	839.0	820.0	607.0	31.4	8.1	5.4
-22.5°	931.2	899.7	881.8	865.0	844.4	820.6	811.4	519.2	29.8	8.1	5.4
-25.5°	905.7	873.2	853.1	839.0	827.6	804.9	809.8	414.6	28.7	8.1	5.4
-29°	858.5	832.0	811.9	796.7	787.0	782.7	813.5	278.6	29.8	7.6	5.4
-33°	809.2	784.8	759.3	736.0	720.9	730.6	803.2	109.5	30.9	7.6	5.4
-37.5°	774.5	751.2	722.5	687.3	654.2	652.6	734.4	56.4	32.0	7.6	5.4
-42.5°	754.5	737.1	708.4	678.6	633.6	542.0	513.3	69.9	30.9	7.0	5.4
-47.5°	533.9	519.2	505.1	481.8	445.5	348.5	233.6	46.6	24.4	6.0	4.9
-55°	110.0	108.9	112.7	107.3	64.5	34.7	47.7	20.6	7.6	6.0	4.9
-65°	95.9	105.7	79.7	43.4	14.6	18.4	26.6	15.7	6.0	5.4	4.9
-75°	13.0	12.5	9.2	9.2	10.3	9.8	7.0	4.9	4.9	4.9	4.9
-85°	6.0	5.4	5.4	4.9	4.9	4.3	4.3	3.8	4.3	4.9	4.9
-90°	0.0	0.0	0.0	0.0	0.0	0.0	0.0	0.0	0.0	0.0	0.0





REPORT NUMBER: P571705  
CATALOG NUMBER: UFLD-S-CA1-30-740-U-66-TS2LW\_NFFLD

**CANDELA DISTRIBUTION (continued):**

	90°
90°	0.0
85°	0.0
75°	0.0
65°	0.0
55°	0.0
47.5°	0.0
42.5°	0.0
37.5°	0.0
33°	0.0
29°	0.0
25.5°	0.0
22.5°	0.0
19.5°	0.0
17°	0.0
15°	0.0
13°	0.0
11°	0.0
9°	0.0
7°	0.0
5°	0.0
3°	0.0
1°	0.0
0°	0.0
-1°	0.0
-3°	0.0
-5°	0.0
-7°	0.0
-9°	0.0
-11°	0.0
-13°	0.0
-15°	0.0
-17°	0.0
-19.5°	0.0
-22.5°	0.0
-25.5°	0.0
-29°	0.0
-33°	0.0
-37.5°	0.0
-42.5°	0.0
-47.5°	0.0
-55°	0.0
-65°	0.0
-75°	0.0
-85°	0.0
-90°	0.0

(END OF REPORT)